

## Surface Mounted Specialised Function Locks

The **HS130** lock is designed to allow **manual key deadlocking** operation from the outside, if required, with a number of internal locking options to cater for different needs. As standard, this lock has an **automatic bolting** function so that the bolts engage when the door is closed allowing you to lock the door from either side manually.

The **HS140** lock has the same **manual key deadlocking** function as the HS130 but is provided with a **manual bolting** operation requiring physical operation of the lever to throw the bolts into an engaged position.

### Features

- Available as a single, 2 or 3 point lock
- Manual deadlocking function
- 25mm bolt engagement
  - HS130 - bolts automatically
  - HS140 - manual bolt operation
- Suitable for timber and steel doors

### Options

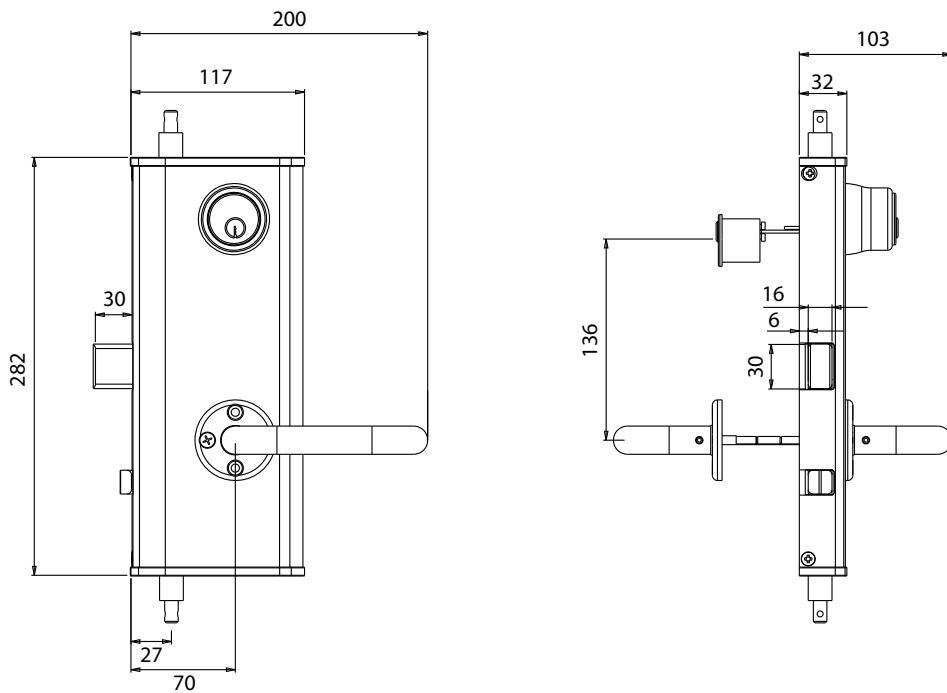
- Bolt Position Monitoring
- Lock Position Monitoring
- Optional Aesthetic Rod Covers
- Tall door kits available
- External key entry overrides automatic deadlocking
- Mechanical deadlock override via internal thumbturn with or without breakdome or internal key cylinder
- High security cylinder guard available

### Standards

- Independently cycle tested to in excess of 1,000,000 cycles
- Fire tested to BS EN 1634-1



## Dimensions



**Note:** Above illustration shows configuration '09' for reference purposes only.



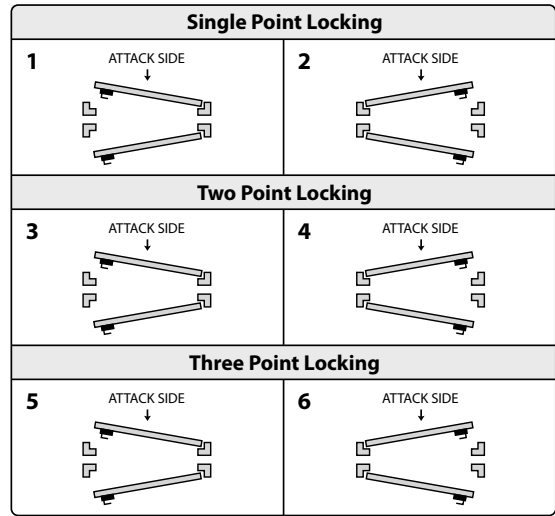
**Note:** Images show thumbturn options, with and without break dome.

## Ordering Code Matrix and Technical Information

### HS130 and HS140 Surface Mount Locks

<b>HS130 or HS140</b> .....	<b>1 - 4 - 5 - 101 - 1 - 1 - 0</b>
HS130	3
HS140	4
<b>Handing &amp; Locking Points (see chart opposite)</b>	
Single Point	1
Single Point	2
Two Point	3
Two Point	4
Three Point	5
Three Point	6
<b>Finish</b>	
Regal Silver cover with exposed zinc plated rods & guides	1
Regal Silver paint finish lock & rod covers (n/a on single point lock)	2
<b>Configuration (cylinders not included)</b>	
Internal lever operation only with thumbturn	01
Int. lever operation only with thumbturn & breakdome	02
As 01 but with external key facility & external handle	03
As 03 but with breakdome	04
As 03 but with cylinder guard	05
As 05 but with breakdome	06
As 01 but with internal key facility	07
As 07 but with external handle	08
As 08 but with external cylinder	09
As 09 but with cylinder guard	10
External locking facility via rim cylinder	11
As 11 but with cylinder guard	12
<b>Door Thickness</b>	
<b>44-65mm</b>	1
<b>66-80mm</b>	2
The rim cylinder guard requires a minimum door thickness of 50mm.	
<b>Rim Cylinder Make</b>	
<b>This information is to determine the cylinder guard type only.</b>	
<b>To order cylinder(s) see page 28</b>	
No cylinder required	0
Union	1
Assa Twin Combi	2
Abloy Protec	3
Yale	4
Kaba Expert	5
Kaba 20	6
Other (please specify make and model)	7
<b>Electric Monitoring</b>	
None required	0
Bolt position	1
Lock position	2
Both positions	3
<b>Other Items:</b>	
Rim Cylinders - page 28	
Top Keeps, Centre Keeps and Floor Keeps - page 29	
Fixing Packs - page 28	
Tall Door Kits - page 28	

### Handing and Locking Chart



## Configuration Chart: HS130 and HS140

### Lever Handle

