

Surface Mounted Lock for use with Access Control Systems

The **HS170** lock has been incorporated into the range to provide a lock for use with **specialised access control** requirements and is available in a number of configurations to meet most applications. As standard the lock has an **automatic deadlocking** function with **automatic bolt throw**. The solenoid actuator is available with 12, 24 or 50 volt DC operation and can be energised to lock (fail-safe if power supply is cut) or powered to unlock (fail-secure).

Features

- Available as a single, 2 or 3 point lock
- Automatic deadlocking function
- 25mm bolt engagement, bolts automatically thrown when door closes
- Access control locking
- Suitable for timber and steel doors
- Low current consumption (access control version only)

Options

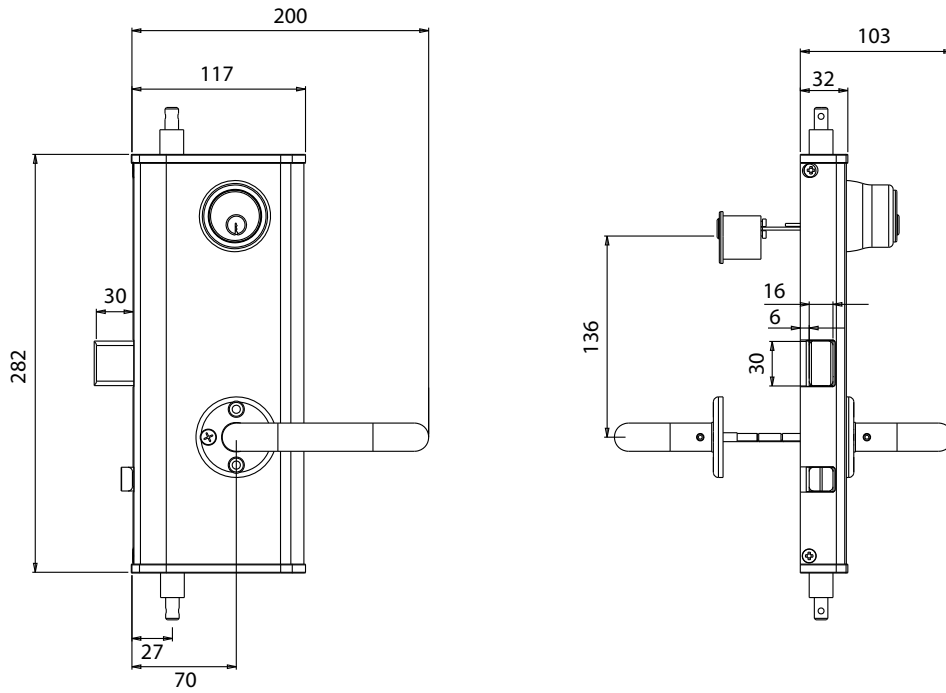
- Bolt Position Monitoring
- Lock Position Monitoring
- Optional Aesthetic Rod Covers
- 12, 24 or 50v DC solenoid operation
- Available in fail-safe or fail-secure modes
- Tall door kits available
- External key entry overrides automatic deadlocking/access control
- Mechanical deadlock or access control override via internal thumbturn with or without breakdome or internal key cylinder
- High security cylinder guard available

Standards

- Fire tested to BS EN 1634-1



Dimensions



Note: Above illustration shows configuration '06' for reference purposes only.



Note: Images show thumbturn options, with and without break dome.

Ordering Code Matrix and Technical Information

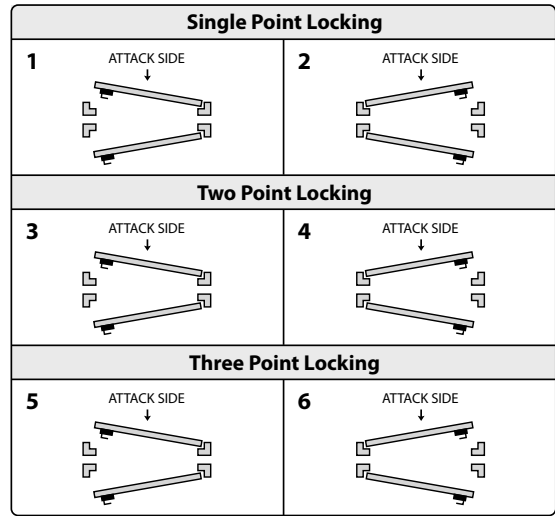
HS170 Surface Mount Lock

HS170	1 - 7 - 5 - 101 - 1 - 1 - 0 - 1
HS170	7
Handing & Locking Points (see chart opposite)	
Single Point	1
Single Point	2
Two Point	3
Two Point	4
Three Point	5
Three Point	6
Finish	
Regal Silver cover with exposed zinc plated rods & guides	1
Regal Silver paint finish lock & rod covers (n/a on single point lock)	2
Configuration (cylinders not included)	
Internal/external lever, key access, internal thumbturn	01
Internal/external lever, key access, internal thumbturn and breakdome	02
As 01 but with external cylinder guard	03
As 02 but with external cylinder guard	04
Internal/external lever, key override from inside only	05
As 05 but with external key access	06
As 06 but with external cylinder guard	07
Internal/external lever, external key access, blank inside (no internal key or thumbturn override)	08
As 08 but with external cylinder guard	09
Door Thickness	
44-65mm	1
66-80mm	2
The rim cylinder guard requires a minimum door thickness of 50mm.	
Rim Cylinder Make	
This information is to determine the cylinder guard type only.	
To order cylinder(s) see page 28	
No cylinder required	0
Union	1
Assa Twin Combi	2
Abloy Protec	3
Yale	4
Kaba Expert	5
Kaba 20	6
Other (please specify make and model)	7
Electric Monitoring	
None required	0
Bolt position	1
Lock position	2
Both positions	3
Access Control	
12 volt DC (energise to unlock-fail secure)	1
12 volt DC (energise to lock-fail safe)	2
24 volt DC (energise to unlock-fail secure)	3
24 volt DC (energise to lock-fail safe)	4
50 volt DC (energise to unlock-fail secure)	5
50 volt DC (energise to lock-fail safe)	6

Other Items:

- Rim Cylinders - page 28
- Top Keeps, Centre Keeps and Floor Keeps - page 29
- Fixing Packs - page 28
- Tall Door Kits - page 28

Handing and Locking Chart



Configuration Chart: HS170

Lever Handle

