

Surface Mounted Specialised Function Lock

The **HS180** lock incorporates several functions within the one lock case. The lock can be operated from inside with either a push bar, paddle handle or lever handle with key override from outside. In addition to this you have the facility to either lock the bolts in their retracted position or, should you wish to do so, deadlock the bolts in their thrown position. The lock also features an override function from inside however please note when the double deadlock facility is engaged the override function is disabled. When either the double deadlocking or the hold-back features are engaged it is not possible for the solenoid unlocking device to override any of these functions. **The user should be aware that this product does not conform to the mandatory standards BS EN 179 and 1125. We would strongly recommend that you consult with your local fire officer before installing this type of locking device.**

Features

- Available as a single, 2 or 3 point lock
- 25mm bolt engagement, bolts automatically thrown when door closes
- Anti-thrust device to prevent any of the bolts from being forced back allowing unauthorised access
- Key controlled bolt holdback and deadlock facility
- External key entry facility
- High security cylinder guard
- Suitable for timber and steel doors
- Low current consumption (access control version only)

Options

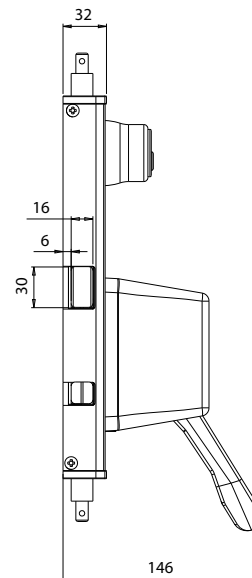
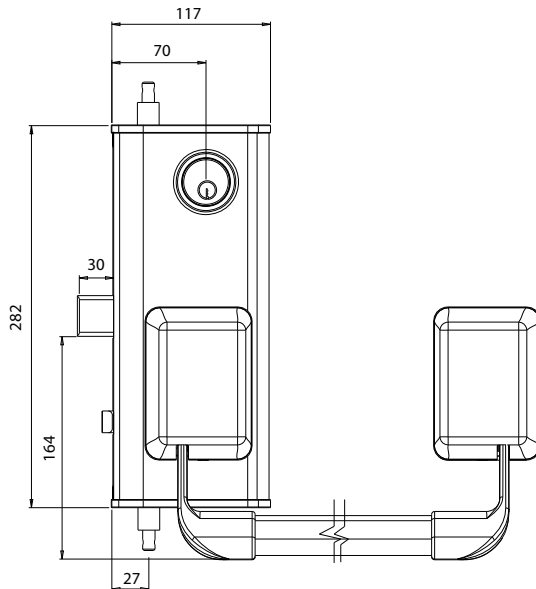
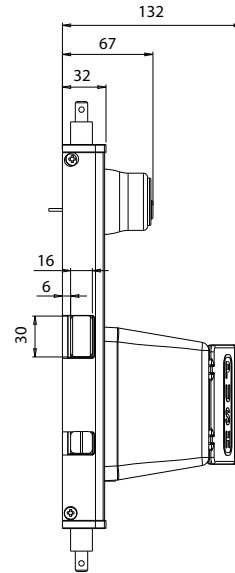
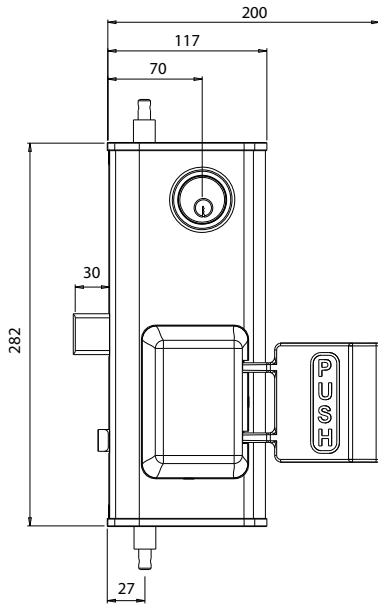
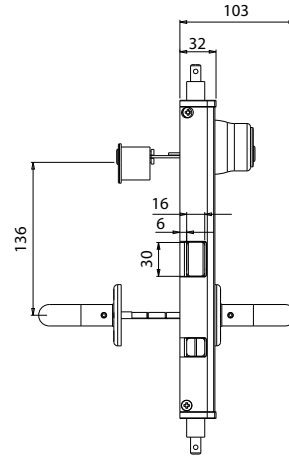
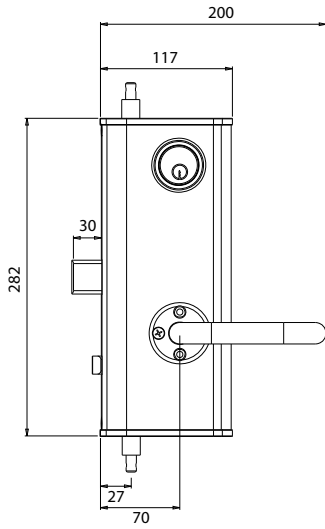
- Bolt Position Monitoring
- Lock Position Monitoring
- Optional Aesthetic Rod Covers
- Access Control Function: 12v DC, 24v DC, 50v DC
- Choice of lever handle, paddle handle or push bar internal operator
- Tall door kits available

Standards

- Independently cycle tested to in excess of 1,000,000 cycles
Fire tested to BS EN 1634-1



Dimensions

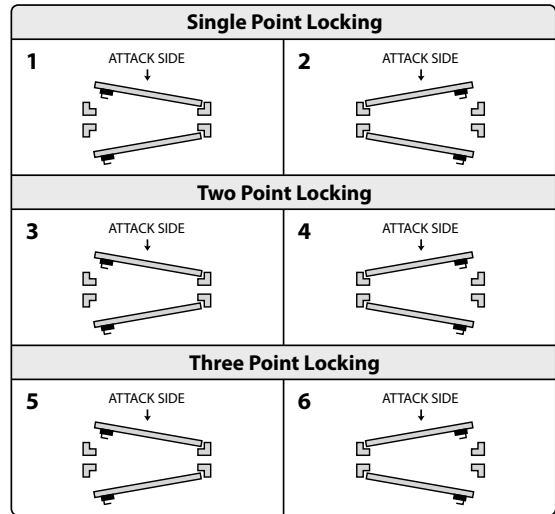


Ordering Code Matrix and Technical Information

HS180 Surface Mount Lock

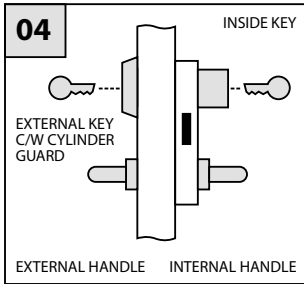
HS180	1 - 8 - 5 - 124 - 1 - 1 - 0 - 0
HS180	8
Handing & Locking Points (see chart opposite)	
Single Point	1
Single Point	2
Two Point	3
Two Point	4
Three Point	5
Three Point	6
Finish	
Regal Silver cover with exposed zinc plated rods & guides	1
Regal Silver paint finish lock & rod covers (n/a on single point lock)	2
Configuration (cylinders not included)	
Internal & external lever handle operation, internal key, external key c/w cylinder guard	04
External paddle handle (push) operation, external key facility and cylinder guard, ext. lever handle & int. key	24
Internal paddle handle (pull) operation, external key facility and cylinder guard, ext. lever handle & int. key	34
Internal panic bar operation, external key facility and cylinder guard, ext. lever handle & int. key	44
Door Thickness	
44-65mm	1
66-80mm	2
The rim cylinder guard requires a minimum door thickness of 50mm.	
Rim Cylinder Make This information is to determine the cylinder guard type only. To order cylinder(s) see page 28	
No cylinder required	0
Union	1
Assa Twin Combi	2
Abloy Protec	3
Yale	4
Kaba Expert	5
Kaba 20	6
Other (please specify make and model)	7
Electric Monitoring	
None required	0
Bolt position	1
Lock position	2
Both positions	3
Access Control	
None required	0
12 volt DC (energise to unlock-fail secure)	1
12 volt DC (energise to lock-fail safe)	2
24 volt DC (energise to unlock-fail secure)	3
24 volt DC (energise to lock-fail safe)	4
50 volt DC (energise to unlock-fail secure)	5
50 volt DC (energise to lock-fail safe)	6
Other Items:	
Rim Cylinders - page 28	
Top Keeps, Centre Keeps and Floor Keeps - page 29	
Fixing Packs - page 28	
Tall Door Kits - page 28	

Handing and Locking Chart

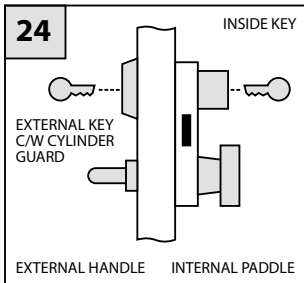


Configuration Chart: HS180

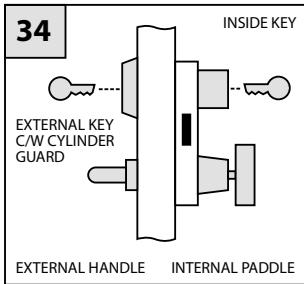
Lever Handle



Paddle Handle (Push)



Paddle Handle (Pull)



Push-Bar

