

Mortice Mounted Emergency/Panic Escape Locks

The **HS210** is designed to provide a mortice mounted lock for emergency/panic exit doors that gives resistance to a greater physical attack threat to the outside of a door. You can choose either an **internal lever handle, paddle handle or push bar** to suit your operating requirements and to comply with the mandatory physical standards **BS EN 179** and **BS EN 1125**. European standards allow the HS210 to be fitted to fire doors.

The **HS220** lock has the same specification as the HS210 but incorporates a special feature to hold the bolts in their retracted position under the control of a key cylinder. This function is activated by simply turning the key towards the door edge when the bolts have been withdrawn and this will keep the bolts retracted until you reinsert the key and turn it in the opposite rotation.

Current standards **do not** allow the HS220 to be fitted to fire doors, however, this may change in the future.

Features

- Available as a single, 2 or 3 point lock
- 25mm bolt engagement, bolts automatically thrown when door closes
- Anti-thrust device to prevent any of the bolts from being forced back allowing unauthorised access
- Key controlled hold back facility operated externally or internally as applicable (HS220 only)
- Suitable for timber and steel doors
- Stainless steel forend and bolt guide plates
- Low current consumption (access control version only)

Options

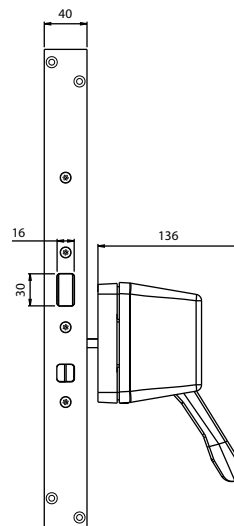
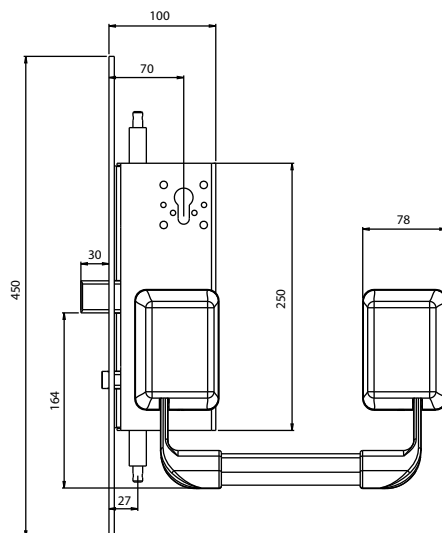
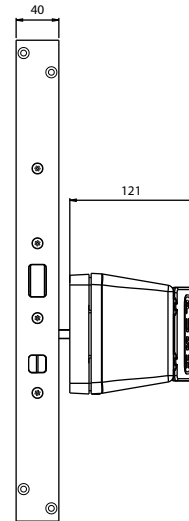
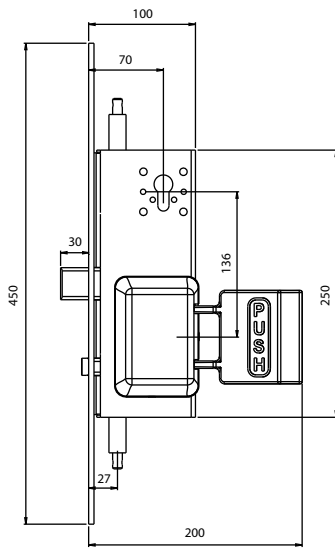
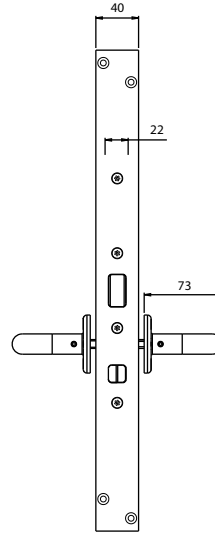
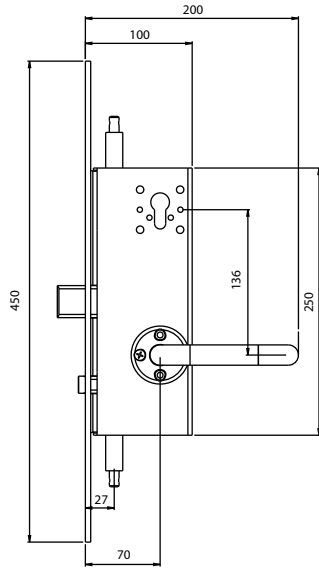
- Bolt Position Monitoring
- Lock Position Monitoring
- Access Control Function: 12v DC, 24v DC, 50v DC
- Tall door kits available
- External key entry overrides automatic deadlocking
- High security cylinder guard available

Standards

- BS EN 179: 2008 Emergency Exit Devices (lever and paddle handle versions)
- BS EN 1125: 2008 Panic Exit Devices (push bar version)
- CE Marked
- British Government Tested
- Independently cycle tested to in excess of 1,000,000 cycles
- Fire tested to BS EN 1634-1



Dimensions



Ordering Code Matrix and Technical Information

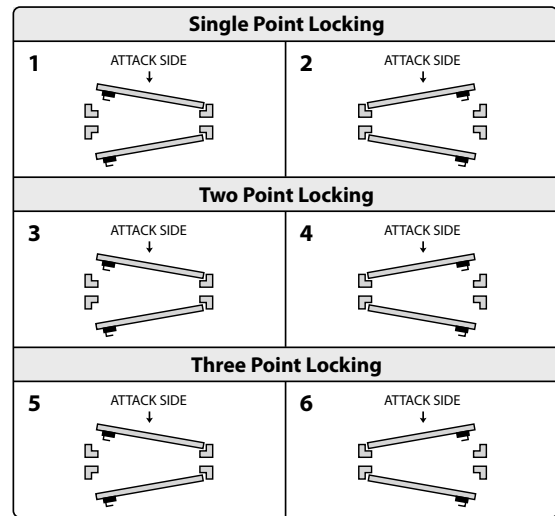
HS210 and HS220 Mortice Mount Locks

HS210 or HS220	2-2-5-131-1-0-0-0
HS210	1
HS220	2
Handing & Locking Points (see chart opposite)	
Single Point	1
Single Point	2
Two Point	3
Two Point	4
Three Point	5
Three Point	6
Finish	
Brushed stainless steel	1
Configuration (cylinders not included)	
Internal lever operation only	01
Lever handle both sides	02
As 02 but with external key facility	03
As 03 but with cylinder guard	04
Internal paddle handle operation only	21
Internal paddle handle & external lever	22
As 22 but with external key facility	23
As 23 but with cylinder guard	24
Internal paddle handle operation only (pull)	31
Internal paddle handle operation & external lever (pull)	32
As 32 but with external key facility	33
As 33 but with cylinder guard	34
Internal panic bar operation only	41
Internal panic bar operation & external lever	42
As 42 but with external key facility	43
As 43 but with cylinder guard	44
Door Thickness	
48-56mm	1
57-63mm	2
64-73mm	3
74-85mm	4
Europrofile Cylinder Make	
This information is to determine the cylinder guard type only.	
To order cylinder(s) see page 52	
No cylinder required	0
Union	1
Assa Twin Combi	2
Abloy Protec	3
Yale	4
Kaba Expert	5
Kaba 20	6
Other (please specify make and model)	7
Electric Monitoring	
None required	0
Bolt position	1
Lock position	2
Both positions	3
Access Control	
None required	0
12 volt DC (energise to unlock-fail secure)	1
12 volt DC (energise to lock-fail safe)	2
24 volt DC (energise to unlock-fail secure)	3
24 volt DC (energise to lock-fail safe)	4
50 volt DC (energise to unlock-fail secure)	5
50 volt DC (energise to lock-fail safe)	6

Other Items:

- Europrofile Cylinders and Cylinder Guards - page 52
- Top Keeps, Centre Keeps and Floor Keeps - page 54
- Fixing Packs - page 53
- Tall Door Kits - page 53

Handing and Locking Chart



BS EN 1125 - Panic Exit Devices

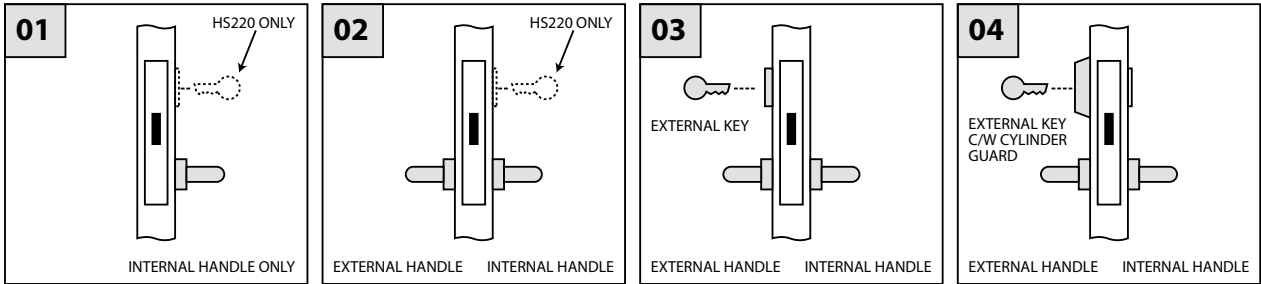
CE The main purpose of the performance requirements of this standard is to give safe and effective escape through a doorway with minimum effort and without prior knowledge of the device, i.e. for locked doors on escape routes where panic situations can be foreseen.

BS EN 179 - Paddle and Lever Handle

CE This European Standard deals with emergency devices designed to be used in emergency situations where people are familiar with the emergency exit and its hardware and therefore a panic situation is most unlikely to develop.

Configuration Chart: HS210 & HS220

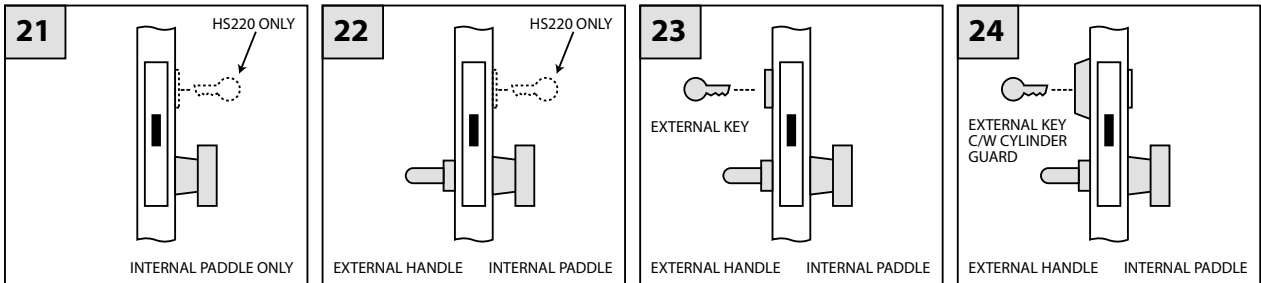
Lever Handle



CE Marked: BS EN 179:2008+A1 2001
 Classification Codes: HS210 - 37611442A
 HS220 - 37601442A



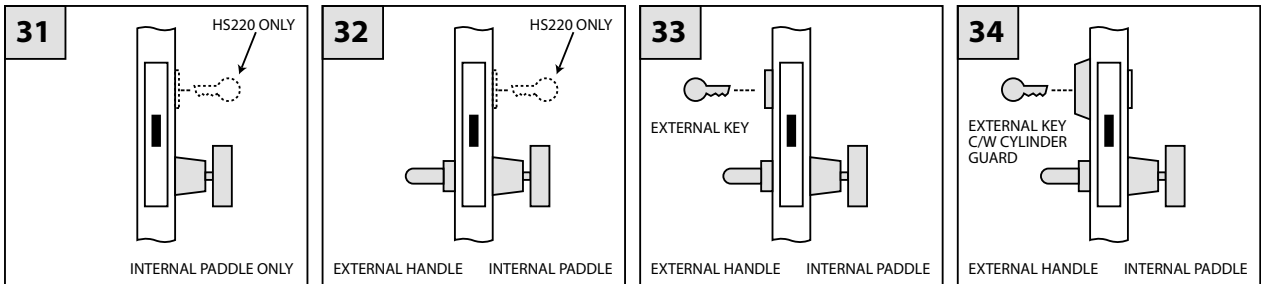
Paddle Handle (Push)



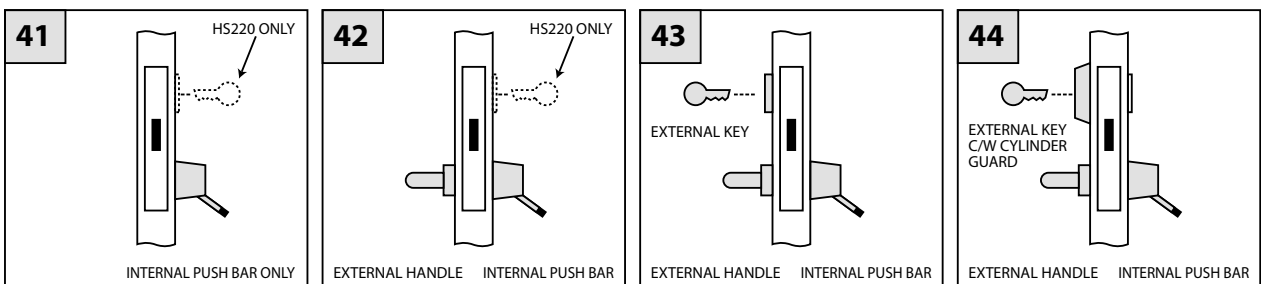
CE Marked: BS EN 179:2008+A1 2001
 Classification Codes: HS210 - 37611441B
 HS220 - 37601441B



Paddle Handle (Pull)



Push-Bar



CE Marked: BS EN 1125:2008+A1 2001
 Classification Codes: HS210 - 37611421A
 HS220 - 37601421A

