

Mortice Mounted Specialised Function Locks

The **HS280** lock incorporates several functions within the one lock case. The lock can be operated from inside with either a push bar, paddle handle or lever handle with key override from outside. In addition to this you have the facility to either lock the bolts in their retracted position or, should you wish to do so, deadlock the bolts in their thrown position. The lock also features an override function from inside however please note when the double deadlock facility is engaged the override function is disabled. When either the double deadlocking or the hold-back features are engaged it is not possible for the solenoid unlocking device to override any of these functions. **The user should be aware that this product does not conform to the mandatory standards BS EN 179 and 1125. We would strongly recommend that you consult with your local fire officer before installing this type of locking device.**

Features

- Available as a single, 2 or 3 point lock
- 25mm bolt engagement, bolts automatically thrown when door closes
- Anti-thrust device to prevent any of the bolts from being forced back allowing unauthorised access
- Key controlled bolt holdback and deadlock facility
- External key entry facility
- High security cylinder guard
- Stainless steel forend and bolt guide plates
- Suitable for timber and steel doors
- Low current consumption (access control version only)

Options

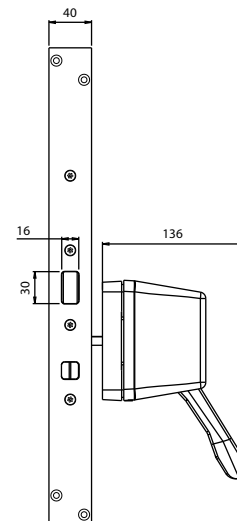
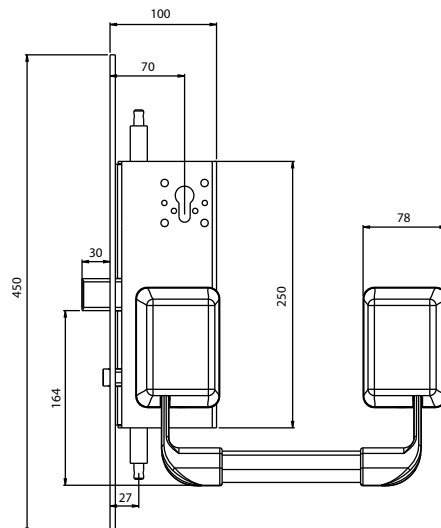
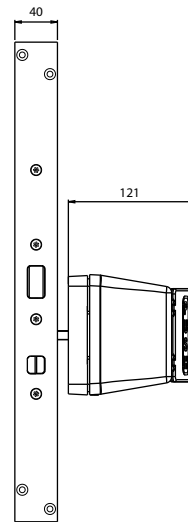
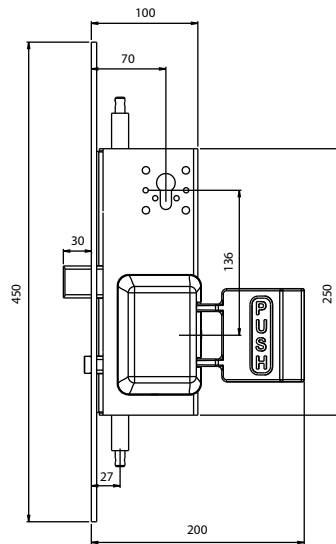
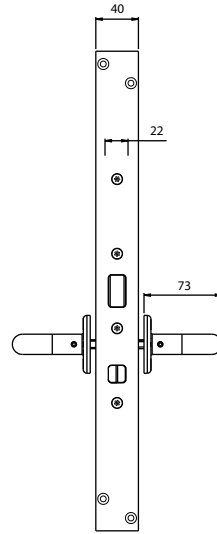
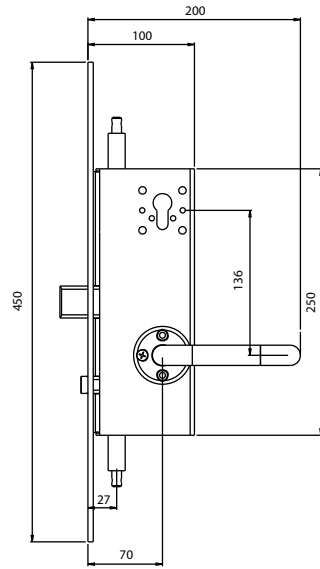
- Bolt Position Monitoring
- Lock Position Monitoring
- Access Control Function: 12v DC, 24v DC, 50v DC
- Choice of lever handle, paddle handle or push bar internal operator
- Tall door kits available

Standards

- Independently cycle tested to in excess of 1,000,000 cycles
- Fire tested to BS EN 1634-1



Dimensions



Ordering Code Matrix and Technical Information

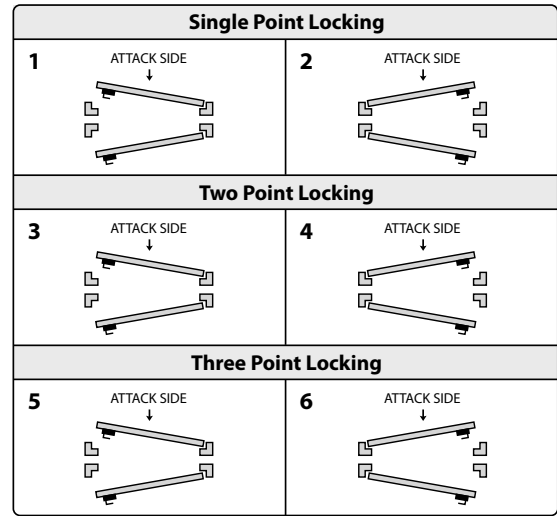
HS280 Mortice Mount Lock

HS280	2-8-5-124-1-0-0-0
HS280	8
Handing & Locking Points (see chart opposite)	
Single Point	1
Single Point	2
Two Point	3
Two Point	4
Three Point	5
Three Point	6
Finish	
Brushed stainless steel	1
Configuration (cylinders not included)	
Internal & external lever handle operation, internal key, external key c/w cylinder guard	04
Internal paddle handle (push) operation, external key facility and cylinder guard, ext. lever handle & int. key	24
Internal paddle handle (pull) operation, external key facility and cylinder guard, ext. lever handle & int. key	34
Internal panic bar operation, external key facility and cylinder guard, ext. lever handle & int. key	44
Door Thickness	
48-56mm	1
57-63mm	2
64-73mm	3
74-85mm	4
Europrofile Cylinder Make	
This information is to determine the cylinder guard type only.	
To order cylinder(s) see page 52	
No cylinder required	0
Union	1
Assa Twin Combi	2
Abloy Protec	3
Yale	4
Kaba Expert	5
Kaba 20	6
Other (please specify make and model)	7
Electric Monitoring	
None required	0
Bolt position	1
Lock position	2
Both positions	3
Access Control	
None required	0
12 volt DC (energise to unlock-fail secure)	1
12 volt DC (energise to lock-fail safe)	2
24 volt DC (energise to unlock-fail secure)	3
24 volt DC (energise to lock-fail safe)	4
50 volt DC (energise to unlock-fail secure)	5
50 volt DC (energise to lock-fail safe)	6

Other Items:

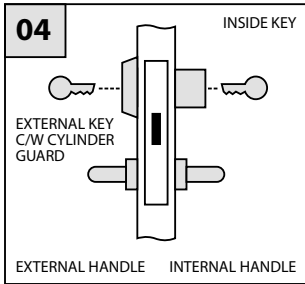
- Europrofile Cylinders and Cylinder Guards - page 52
- Top Keeps, Centre Keeps and Floor Keeps - page 54
- Fixing Packs - page 53
- Tall Door Kits - page 53

Handing and Locking Chart

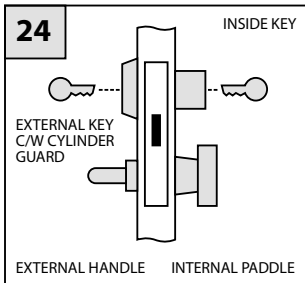


Configuration Chart: HS280

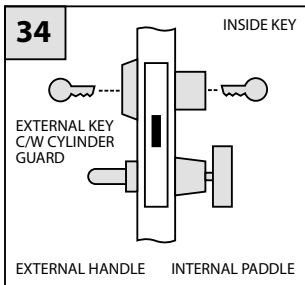
Lever Handle



Paddle Handle (Push)



Paddle Handle (Pull)



Push Bar

