

Slide Bolt

To secure the passive leaf of a double door we have designed a slide bolt that will provide strength and stability against physical attack but visually match the aluminium cover of the main lock module to give a more pleasing appearance. The bolts are available as separate units operated at the top or bottom of the door. The bolts are simply pushed up or down to secure the door using the specially designed shaped handles. When thrown or retracted the bolts are held in position by a positive detent mechanism.

Features

- Architecturally pleasing security device to match locking products
- Hardened Steel Bolt
- 32mm Bolt Engagement
- Bolt Diameter: 16mm

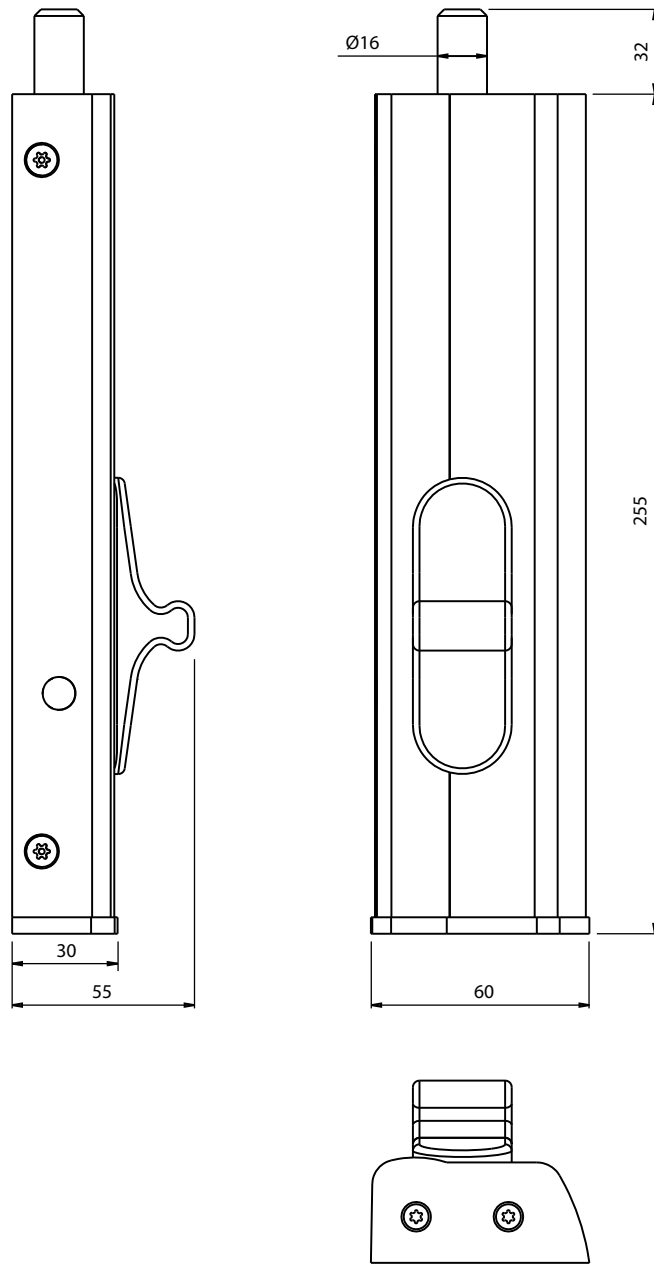
The slide bolt has been successfully included in a door system fire tested to BS 476 Pt 22 and further assessed to cover products related to approved Document B.

Options





- Extension kit (part L9083-901)
- Fixing pack (part L9031-925)



Dimensions



Ordering

Order Number		Order Number	
 Inside	L9081-900	 Inside	L9082-900
 Inside	L9082-900	 Inside	L9081-900

Note: For frame and floor keeps see page 29.