

# Pickersgill-Kaye Class 1 Cell Locks

L8662/3, L8671/2, L8673/4, L8690/1



**The KAYE Class 1 Cell Lock** is a surface/flush mounted heavy duty custodial lock which fits most UK cell doors. KAYE cell locks are designed on state of the art CAD software and using high-tech production techniques at Pickersgill-Kaye's headquarters in Leeds, England.

They are manufactured and tested in accordance with an established internationally respected published Standard **SS317**: a specification for Locks for Custodial Doors.



**L8662**

## Features

- Heavy duty solid steel one piece lock-case body
- Steel bolt with a 34mm throw and anti-saw roller inserts
- Interchangeable 8 Lever Inner Locking Unit
- Rotary Brass Indicator shows lock status
- Stainless steel Key escutcheon and shear fixing screws
- Anti-ligature design external handle assembly
- Long life with low cost installation and maintenance

**L8662 . . .** An 8 lever Key unlocks, allowing main bolt to be withdrawn using handle. Main bolt 'props' automatically allowing key to be removed. When door is slammed shut, Ram releases main bolt which shoots fully. An inner locking unit then automatically deadlocks the main bolt. A rotary indicator shows position of inner locking unit....Vertical when unlocked....Horizontal when locked.

**L8671 . . .** An 8 lever Key both unlocks and locks the main bolt and the anti-ligature external handle may be locked back into the unlocked position. L8671 is fitted with a 'privacy system' which uses a low security cylinder and key or an internal thumb-turn to operate a secondary bolt. Using the external handle from the fully thrown position will always over-ride a locked secondary bolt.

**L8673 . . .** Is similar in functionality to L8671 but without a 'privacy system'. It uses an 8 Lever Key to unlock and lock and is a robust and reliable cell deadlock. A recessed Red painted line on a polished brass rotary indicator set into a stainless steel housing shows when the inner locking unit bolt has engaged with the main locking bolt when it is fully thrown or fully retracted.

**L8690 . . .** Is a mechanical Class 1 Cell Lock with the exactly the same functionality as L8662 but contained within a full lock-case body construction designed for mounting directly onto a solid steel back-plate as preferred with a number of timber and steel type of cell door. L8690 is Key unlocking which automatically deadlocks on door closure.

## Kaye Class 1 Cell Lock

(All are Key Unlocking) (View from outside of cell door)

Hinge on Left						Hinge on Right
P Kaye Part No.	Auto Slam	Key Locking	No Lock-down	With Lock-down	Privacy System	P Kaye Part No.
L8663-000	✓		✓			L8662-000
L8663-401	✓			✓		L8662-401
L8691-400	✓		✓			L8690-400
L8691-401	✓			✓		L8690-401
L8672-400		✓	✓		✓	L8671-400
L8672-401		✓		✓	✓	L8671-401
L8674-400		✓	✓			L8673-400
L8674-401		✓		✓		L8673-401

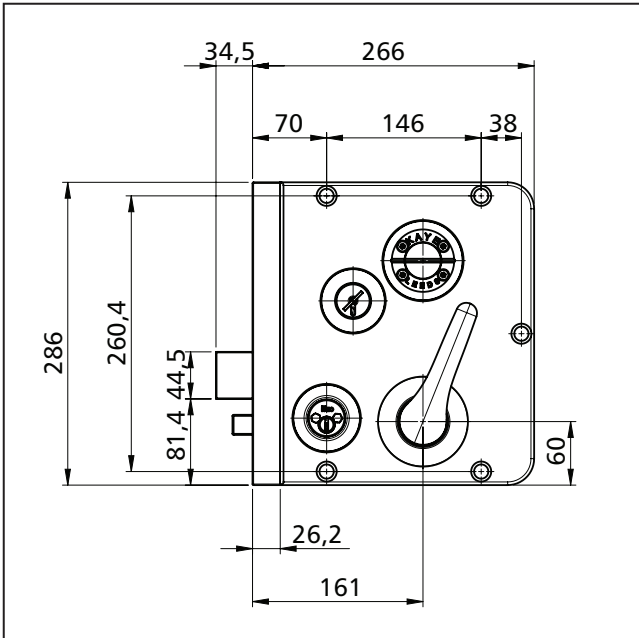


**L8671**

# Pickersgill-Kaye

## Class 1 Cell Locks

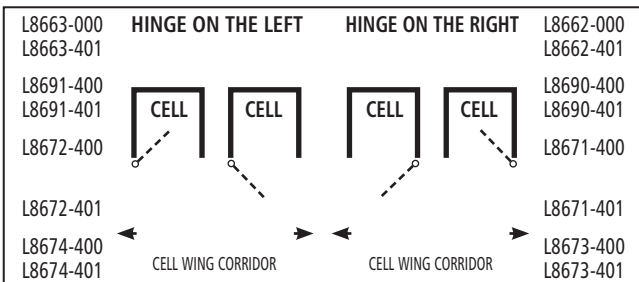
L8662/3, L8671/2, L8673/4, L8690/1



### L8671

Detailed interface drawings of each of the lock types available on request

### How to select the correct handing for your new KAYE Class 1 Cell Lock



- **Mechanical custodial lock:** a Stainless Steel Key Escutcheon and Rotary Indicator housing is recessed into the surface of the solid body lock-case to provide a higher resistance to impact and abuse attacks
- A Red painted Line set into a shallow recess across a polished brass rotating mechanical disc and its stainless steel housing provides clear indication of the cell lock status... Vertical when unlocked...Horizontal when locked
- Lock-case body: Solid mild steel painted Grey with a textured finish  
Bolt: Mild steel Zinc plated with two anti-saw roller inserts  
Ram: Double-angle Brass in a natural finish (door opens both ways)  
Handle and Handle Boss: Aluminium powder painted white
- Servant Keys and Master Keys are supplied to suit particular suites and are subject to specific ordering procedures which is based on individual and independently verifiable proof of authorisation
- Privacy bolt: Brass in a natural finish  
Privacy Thumb-turn: Stainless Steel (via a clutch assembly)  
Privacy Cylinder shroud: Brass in a satin-chrome finish  
Privacy Cylinder: Brass in a polished natural finish

### Durability and Security Testing

• Handle Operations	300,000 cycles
• Door Slams	300,000 cycles
• Key Operations	100,000 cycles
• Saw Attack	12Hrs
• Resistance to side load on deadbolt	25.0kN
• Resistance to end load on deadbolt	25.0kN



**Pickersgill-Kaye Ltd**

Pepper Road, Leeds, LS10 2PP Tel: 0113 277 5531  
www.pkaye.co.uk