

## Surface Mounted Specialised Function Locks

The **HS150** features an **automatic deadlocking** function with **automatic bolt throw**.

The **HS160** lock has **automatic deadlocking** as the HS150 but is provided with a **manual bolt throw** operation.

### Features

- Available as a single, 2 or 3 point lock
- Automatic deadlocking function
- 25mm bolt engagement
  - HS150 - bolts automatically
  - HS160 - manual bolt operation
- Suitable for timber and steel doors

### Options

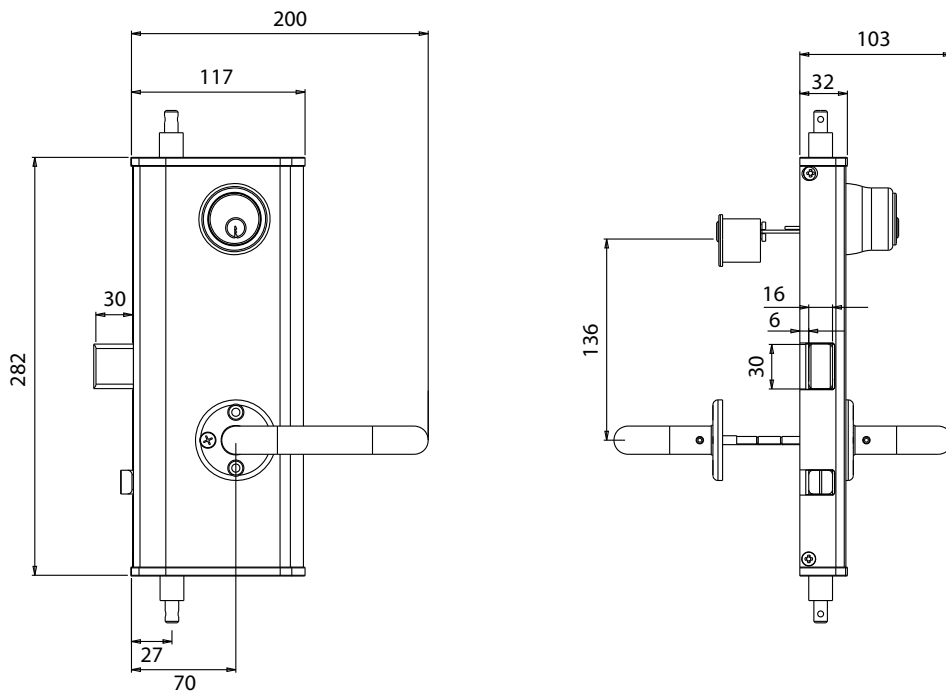
- Bolt Position Monitoring
- Lock Position Monitoring
- Optional Aesthetic Rod Covers
- Tall door kits available
- External key entry overrides automatic deadlocking
- Mechanical deadlock override via internal thumbturn with or without breakdome or internal key cylinder
- High security cylinder guard available

### Standards

- Independently cycle tested to in excess of 1,000,000 cycles
- Fire tested to BS EN 1634-1



### Dimensions



**Note:** Above illustration shows configuration '08' for reference purposes only.



**Note:** Images show thumbturn options, with and without break dome.

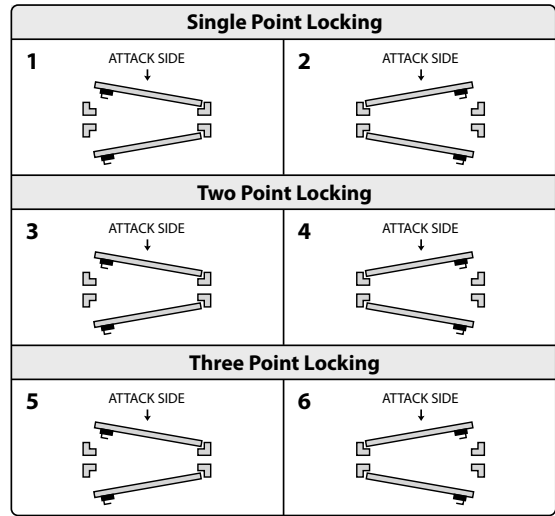
## Ordering Code Matrix and Technical Information

### HS150 and HS160 Surface Mount Locks

<b>HS150 or HS160</b> .....	<b>1 - 6 - 5 - 101 - 1 - 1 - 0</b>
HS150	5
HS160	6
<b>Handing &amp; Locking Points (see chart opposite)</b>	
Single Point	1
Single Point	2
Two Point	3
Two Point	4
Three Point	5
Three Point	6
<b>Finish</b>	
Regal Silver cover with exposed zinc plated rods & guides	1
Regal Silver paint finish lock & rod covers (n/a on single point lock)	2
<b>Configuration (cylinders not included)</b>	
Internal lever operation only with thumbturn	01
Int. lever operation only with thumbturn & breakdome	02
As 01 but with external key facility & external handle	03
As 03 but with breakdome	04
As 03 but with cylinder guard	05
As 05 but with breakdome	06
As 01 but with internal key facility	07
As 07 but with external handle and key facility	08
As 08 but with external cylinder	09
External operation only	10
As 10 but with cylinder guard	11
<b>Door Thickness</b>	
44-65mm	1
66-80mm	2
The rim cylinder guard requires a minimum door thickness of 50mm.	
<b>Rim Cylinder Make</b>	
<b>This information is to determine the cylinder guard type only.</b>	
<b>To order cylinder(s) see page 28</b>	
No cylinder required	0
Union	1
Assa Twin Combi	2
Abloy Protec	3
Yale	4
Kaba Expert	5
Kaba 20	6
Other (please specify make and model)	7
<b>Electric Monitoring</b>	
None required	0
Bolt position	1
Lock position	2
Both positions	3

**Other Items:**  
 Rim Cylinders - page 28  
 Top Keeps, Centre Keeps and Floor Keeps - page 29  
 Fixing Packs - page 28  
 Tall Door Kits - page 28

### Handing and Locking Chart



## Configuration Chart: HS150 and HS160

### Lever Handle

